

STEPPER MOTOR DRIVER

1 Features

- ABLE TO DRIVE BOTH WINDINGS OF BIPOLAR STEPPER MOTOR
- OUTPUT CURRENT UP TO 500mA EACH WINDING
- WIDE VOLTAGE RANGE 4.5V TO 10V
- HALF-STEP, FULL-STEP AND MICROSTEPPING MODE
- BUILT-IN PROTECTION DIODES
- INTERNAL PWM CURRENT CONTROL
- LOW OUTPUT SATURATION VOLTAGE
- DESIGNED FOR UNSTABILIZED MOTOR SUPPLY VOLTAGE
- INTERNAL THERMAL SHUTDOWN

2 Description

The L6219R is a bipolar monolithic integrated circuits intended to control and drive both winding of a bipolar stepper motor or bidirectionally control two DC motors. The L6219R with a few external components form a complete control and drive circuit for LS-TTL or microprocessor controlled stepper motor system. The power stage is a dual full bridge capable of sustaining 10V and including four diodes for current recirculation. A cross conduction protection is provided

Figure 1. Package

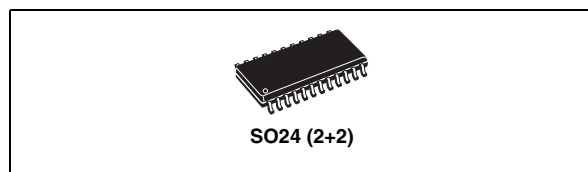


Table 1. Order Codes

Ecopack ⁽¹⁾	Part Number	Package
E-	L6219R	SO24

(1) Lead free package.
To order these kinds of products, add the "E-" prefix before the respective Part Numbers (eg. E-XXXXX).

ed to avoid simultaneous cross conduction during switching current direction. An internal pulse-width-modulation (PWM) controls the output current to 500mA with peak start-up current up to 1A.

Wide range of current control from 500mA (each bridge) is permitted by means of two logic inputs and an external voltage reference. A phase input to each bridge determines the load current direction. A thermal protection circuitry disables the outputs if the chip temperature exceeds safe operating limits.

Figure 2. Block Diagram

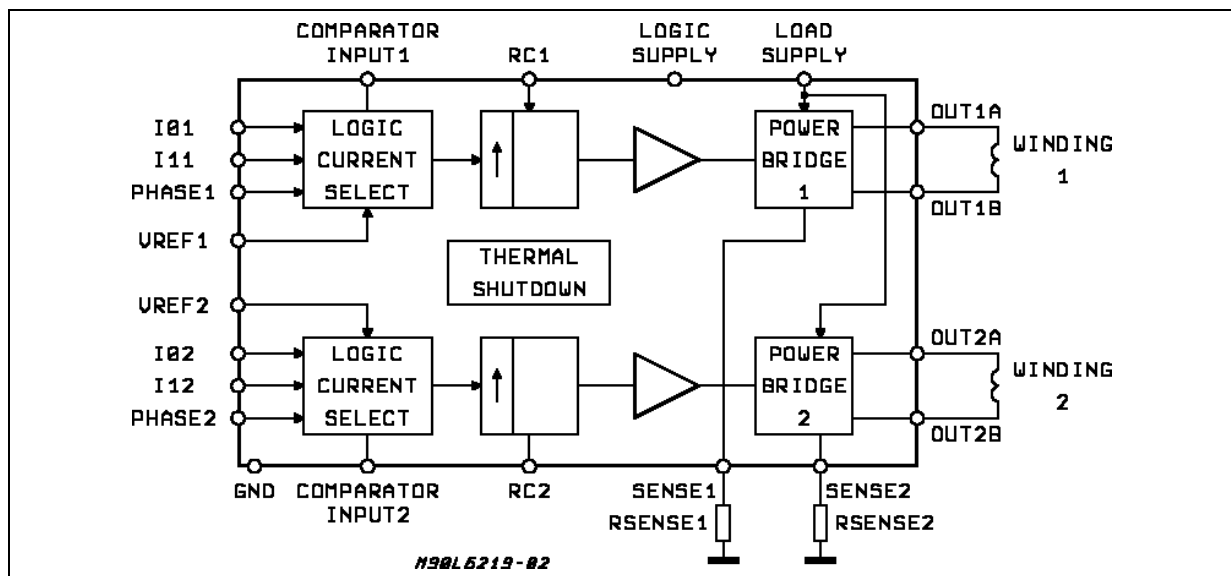


Figure 3. Pin Connection (Top view)

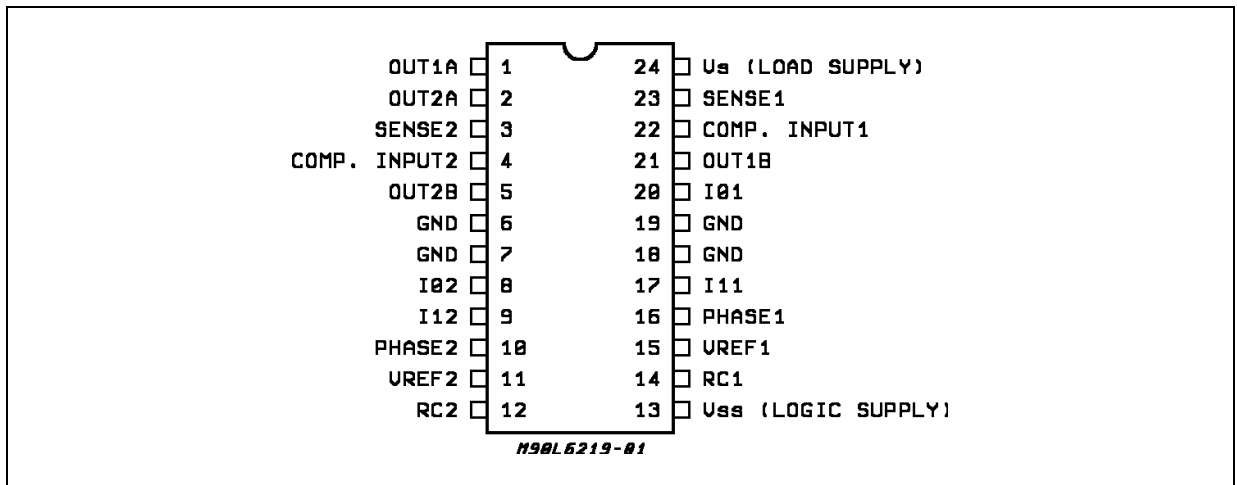


Table 2. Pin Description

Pin #	Name	Description
1;2	OUTPUT A	See pins 5;21
3;23	SENSE RESISTOR	Connection to Lower Emitters of Output Stage for Insertion of Current Sense Resistor
4;22	COMPARATOR INPUT	Input connected to the comparators. The voltage across the sense resistor is feedback to this input through the low pass filter RC CC. The higher power transistors are disabled when the sense voltage exceeds the reference voltage of the selected comparator. When this occurs the current decays for a time set by RT CT (toff = 1.1 RT CT). See fig. 4.
5;21	OUTPUT B	Output Connection. The output stage is a "H" bridge formed by four transistors and four diodes suitable for switching applications.
6;19	GROUND	See pins 7;18
7;18	GROUND	Ground Connection. With pins 6 and 19 also conducts heat from die to printed circuit copper.
8;20	INPUT 0	See INPUT 1 (pins 9;17)
9;17	INPUT 1	These pins and pins 8;20 (INPUT 0) are logic inputs which select the outputs of the comparators to set the current level. Current also depends on the sensing resistor and reference voltage. See Funcional Description.
10;16	PHASE	This TTL-compatible logic inputs sets the direction of current flow through the load. A high level causes current to flow from OUTPUT A (source) to OUTPUT B (sink). A schmitt trigger on this input provides good noise immunity and a delay circuit prevents output stage short circuits during switching.
11;15	REFERENCE VOLTAGE	A voltage applied to this pin sets the reference voltage of the comparators, this determining the output current (also thus depending on Rs and the two inputs INPUT 0 and INPUT 1).
12;14	RC	A parallel RC network connected to this pin sets the OFF time of the higher power transistors. The pulse generator is a monostable triggered by the output of the comparators (toff = 1.1 RT CT).
13	Vss - LOGIC SUPPLY	Supply Voltage Input for Logic Circuitry
24	Vs - LOAD SUPPLY	Supply Voltage Input for the Output Stages.

Note: ESD on GND, VS, VSS, OUT 1A and OUT 2A is guaranteed up to 1.5KV (Human Body Model, 1500W, 100pF).

Table 3. Absolute Maximum Ratings

Symbol	Parameter	Value	Unit
V _S	Supply Voltage	30	V
I _o	Output Current (peak)	±1	A
I _o	Output Current (continuous)	±0.3	A
V _{SS}	Logic Supply Voltage	7	V
V _{IN}	Logic Input Voltage Range	-0.3 to V _{SS}	V
V _{sense}	Sense Output Voltage	1.5	V
T _J	Junction Temperature	+150	°C
T _{op}	Operating Temperature Range	-20 to +85	°C
T _{stg}	Storage Temperature Range	-55 to +150	°C

Table 4. Thermal Data

Symbol	Description	Value	Unit
R _{thj-case}	Thermal Resistance Junction-case	Max. 18	°C/W
R _{thj-amb}	Thermal Resistance Junction-ambient	Max. 75 (*)	°C/W

(*) With minimized copper area.

Table 5. Electrical Characteristics(T_j = 25°C, V_S = 4.5V, V_{SS} = 4.75V to 5.25V, V_{REF} = 2V; unless otherwise specified) See fig. 6

Symbol	Parameter	Test Condition	Min.	Typ.	Max.	Unit
OUTPUT DRIVERS (OUT_A or OUT_B)						
V _S	Motor Supply Range		4.5		10	V
I _{CEX}	Output Leakage Current *)	V _S = 30V; V _{OUT} = V _S ; V _S = 30V; V _{OUT} = 0	- -50	<1 <-1	50	μA μA
V _{CE(sat)}	Output Saturation Voltage	Sink Driver, I _{OUT} = +300mA Sink Driver, I _{OUT} = +500mA Source Driver, I _{OUT} = -300mA Source Driver, I _{OUT} = -500mA	- - - -	0.3 0.7 1.1 1.3	0.6 1 1.4 1.6	V V V V
V _F	Clamp Diode Forward Voltage	Sink Diode Source Diode I _F = 500mA		1 1	1.5 1.5	V V
I _{S(on)}	Driver Supply Current	Both Bridges ON, No Load V _S = 10V	-	8	15	mA
I _{S(off)}	Driver Supply Current	Both Bridges OFF; V _S = 10V	-	6	10	mA
CONTROL LOGIC						
V _{IN(H)}	Input Voltage	All Inputs	2.4	-	-	V
V _{IN(L)}	Input Voltage	All Inputs	-	-	0.8	V
I _{IN(H)}	Input Current	V _{IN} = 2.4V	-	<1	20	μA

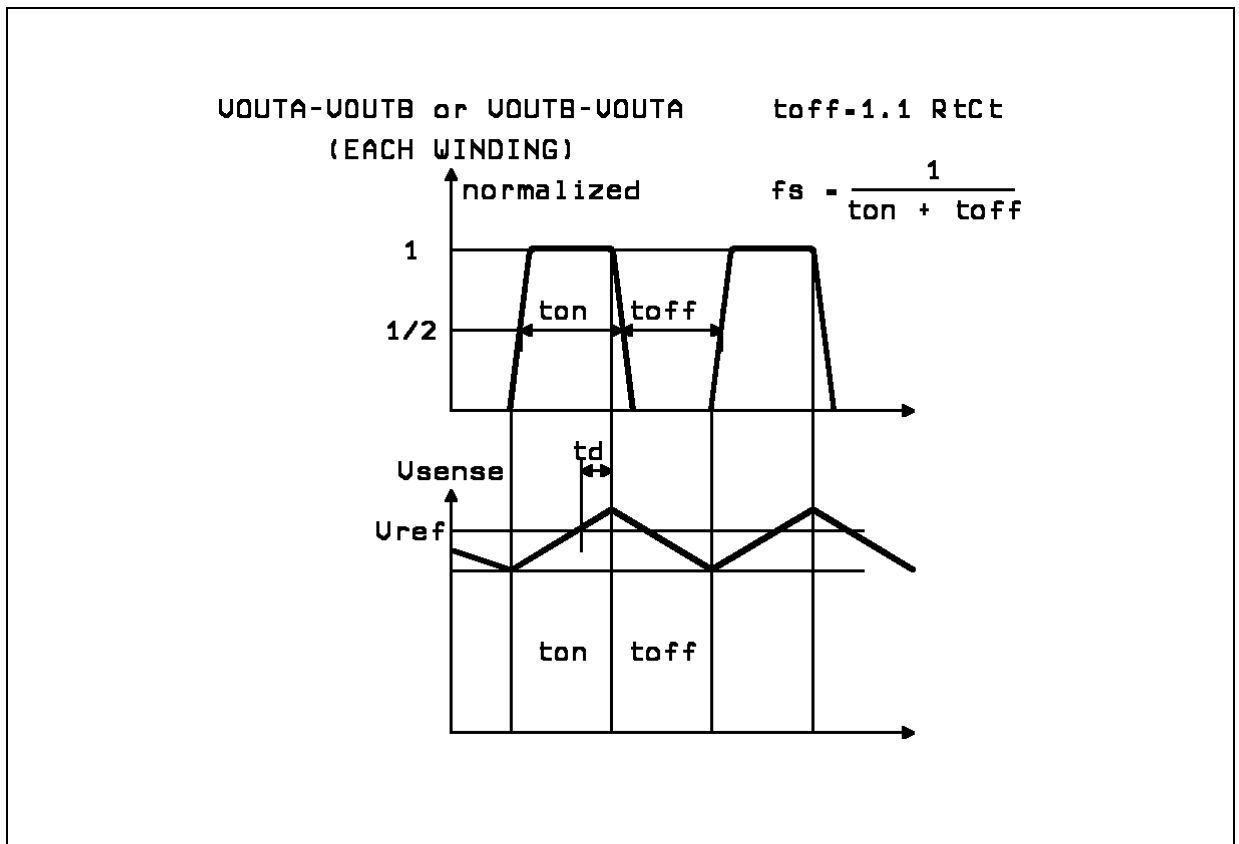
Table 5. Electrical Characteristics (continued)

($T_j = 25^\circ\text{C}$, $V_S = 4.5\text{V}$, $V_{SS} = 4.75\text{V}$ to 5.25V , $V_{REF} = 2\text{V}$; unless otherwise specified) See fig. 6

Symbol	Parameter	Test Condition	Min.	Typ.	Max.	Unit
$I_{IN(L)}$	Input Current	$V_{IN} = 0.84\text{V}$	-	-3	-200	μA
V_{REF}	Reference Voltage	Operating	1.5	-	2	V
$I_{SS(ON)}$	Total Logic Supply Current	$I_o = I_1 = 0.8\text{V}$, No Load	-	44	60	mA
$I_{SS(OFF)}$	Total Logic Supply Current	$I_o = I_1 = 2.4\text{V}$, No Load	-	10	14	mA
COMPARATORS						
V_{REF}/V_{sense}	Current Limit Threshold (at trip point)	$I_o = I_1 = 0.8\text{V}$	9.5	10	10.5	-
		$I_o = 2.4\text{V}$, $I_1 = 0.8\text{V}$	13.5	15	16.5	-
		$I_o = 0.8\text{V}$, $I_1 = 2.4\text{V}$	25.5	30	34.5	-
t_{off}	Cutoff Time	$R_t = 56\text{K}\Omega$ $C_t = 820\text{pF}$	-	50		μs
t_d	Turn Off Delay	Fig. 1	-	1		μs
PROTECTION						
T_J	Thermal Shutdown Temperature		-	170	-	$^\circ\text{C}$

*) I_{CEX} is the sum of the leakage of the power switch and recirculation diode.

Figure 4.



3 Functional Description

The circuit is intended to drive both windings of a bipolar stepper motor.

The peak current control is generated through switch mode regulation. There is a choice of three different current levels with the two logic inputs $I_{01} - I_{11}$ for winding 1 and $I_{02} - I_{12}$ for winding 2.

The current can also be switched off completely

3.1 Input Logic (I_0 and I_1)

The current level in the motor winding is selected with these inputs. (See fig. 5)

If any of the logic inputs is left open, the circuit will treat it has a high level input.

Table 6.

I_0	I_1	Current Level
H	H	No Current
L	H	Low current $1/3 I_0$ max
H	L	Medium current $2/3 I_0$ max
L	L	Maximum current I_0 max

3.2 Phase

This input determines the direction of current flow in the windings, depending on the motor connections. The signal is fed through a Schmidt-trigger for noise immunity, and through a time delay in order to guarantee that no short-circuit occurs in the output stage during phase-shift. High level on the PHASE input causes the motor current flow from Out A through the winding to Out B

3.3 Current Sensor

This part contains a current sensing resistor (R_S), a low pass filter (R_C, C_C) and three comparators. Only one comparator is active at a time. It is activated by the input logic according to the current level chosen with signals I_0 and I_1 . The motor current flows through the sensing resistor R_S . When the current has increased so that the voltage across R_S becomes higher than the reference voltage on the other comparator input, the comparator goes high, which triggers the pulse generator.

The max peak current I_{max} can be defined by:

$$I_{max} = \frac{V_{ref}}{10R_S}$$

See figures 4, 5 and 6 for maximum allowable output current and reference voltage versus V_S supply.

3.4 Single-pulse Generator

The pulse generator is a monostable triggered on the positive going edge of the comparator output. The monostable output is high during the pulse time, t_{off} , which is determined by the time components R_t and C_t .

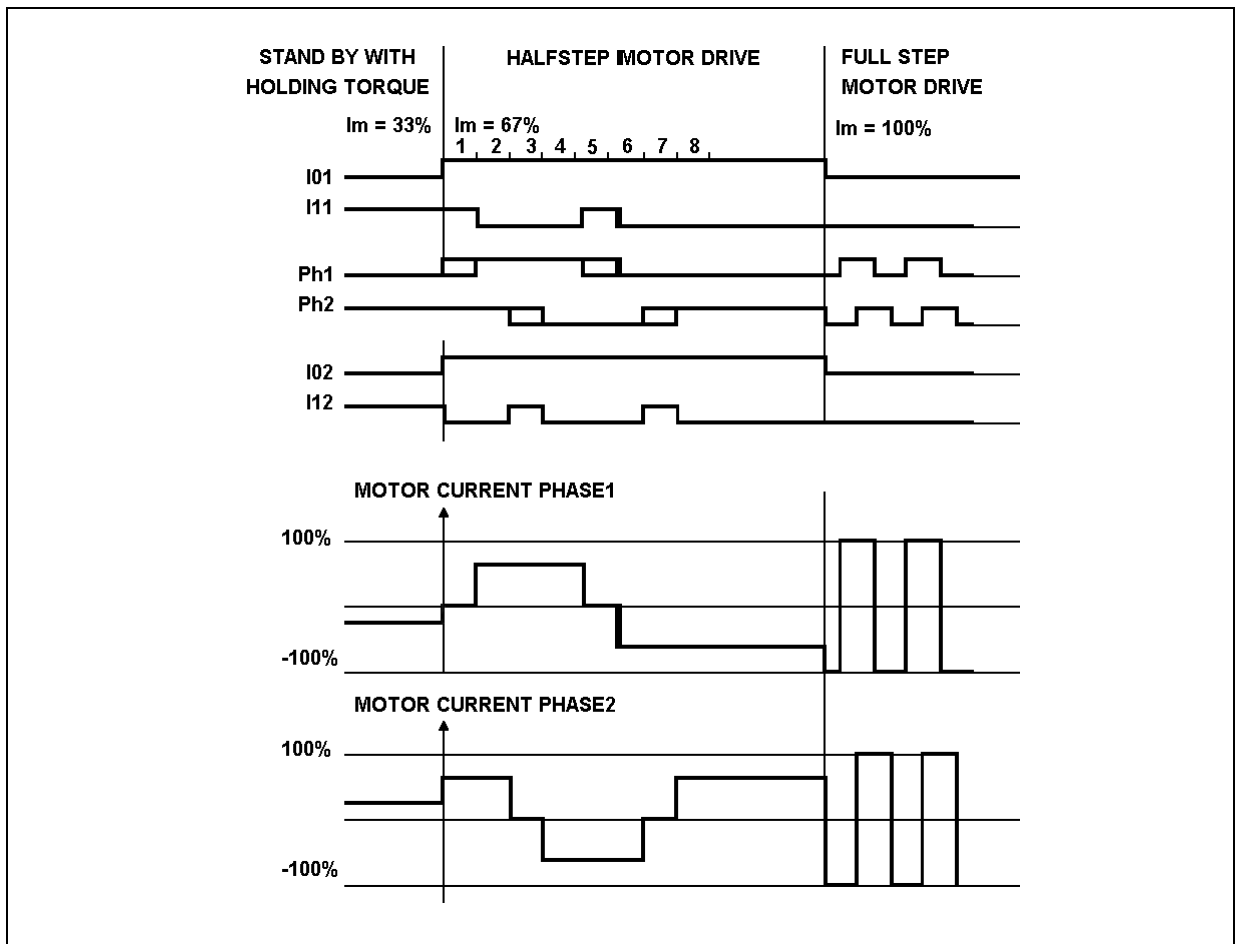
$$t_{off} = 1.1 \cdot R_t C_t$$

The single pulse switches off the power feed to the motor winding, causing the winding current to decrease during t_{off} . If a new trigger signal should occur during t_{off} , it is ignored.

3.5 Output Stage

The output stage contains four Darlington transistors (source drivers) four saturated transistors (sink drivers) and eight diodes, connected in two H bridge.

Figure 5. Principle Operating Sequence



The source transistors are used to switch the power supplied to the motor winding, thus driving a constant current through the winding. It should be noted however, that is not permitted to short circuit the outputs.

Internal circuitry is added in order to increase the accuracy of the motor current particularly with low current levels.

3.6 V_S , V_{SS} , V_{Ref}

The circuit will stand any order of turn-on or turn-off the supply voltages V_S and V_{SS} . Normal dV/dt values are then assumed.

Preferably, V_{Ref} should be tracking V_{SS} during power-on and power-off if V_S is established.

4 Application Informations (Note 1)

Some stepper motors are not designed for continuous operation at maximum current. As the circuit drives a constant current through the motor, its temperature might increase exceedingly both at low and high speed operation. Also, some stepper motors have such high core losses that they are not suited for switch mode current regulation.

Unused inputs should be connected to proper voltage levels in order to get the highest noise immunity.

As the circuit operates with switch mode current regulation, interference generation problems might arise in some applications. A good measure might then be to decouple the circuit with a 100nF capacitor, located near the package between power line and ground.

The ground lead between R_s , and circuit GND should be kept as short as possible.

A typical Application Circuit is shown in Fig. 6.

Note that C_t must be NPO type or similar else.

To sense the winding current, paralleled metal film resistors are recommended (R_s)

Figure 6. Typical Application Circuit.

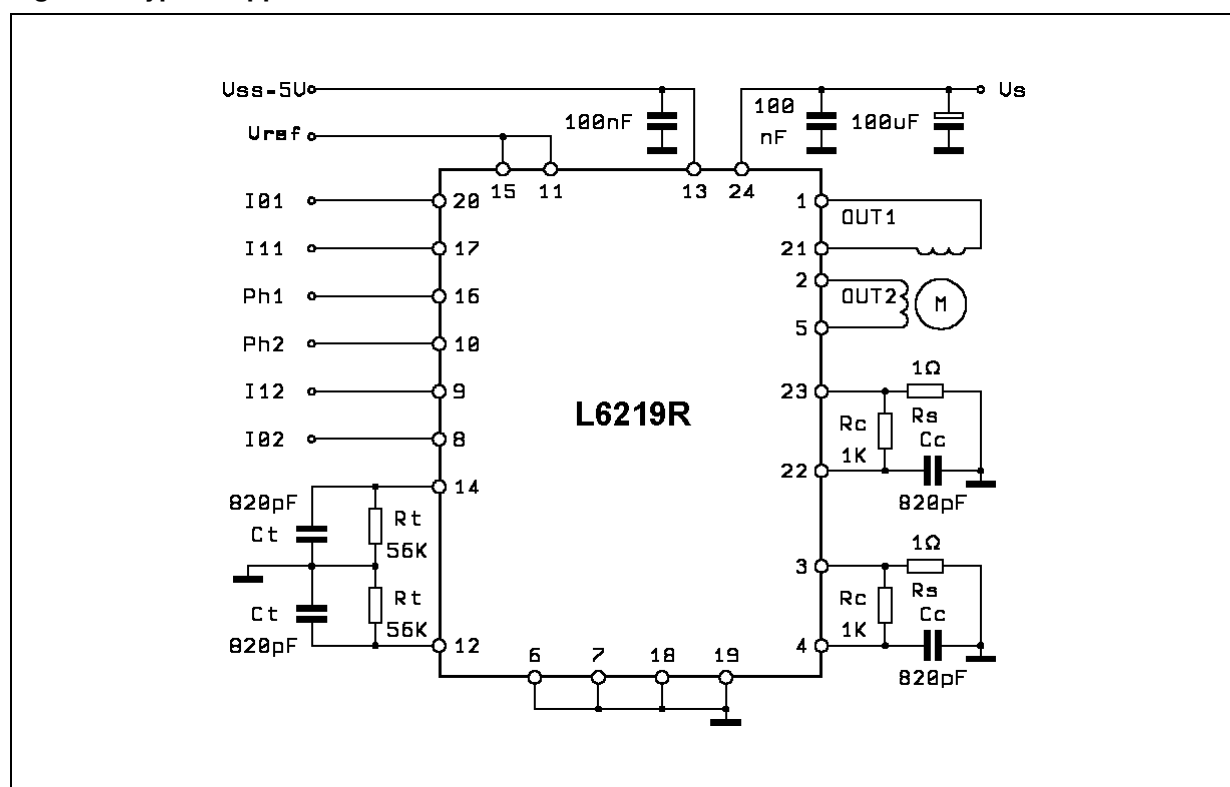


Figure 7. Maximum output current vs. reference voltage

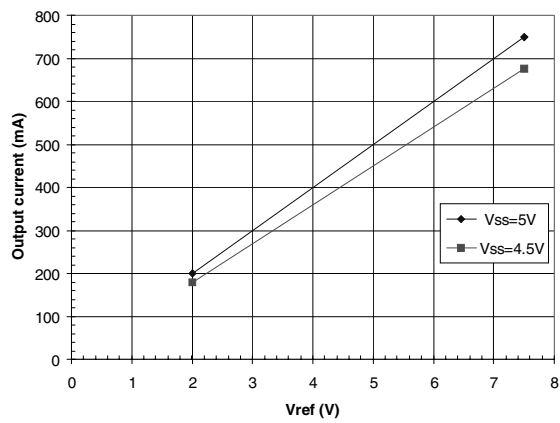


Figure 9. Maximum output current vs. supply voltage

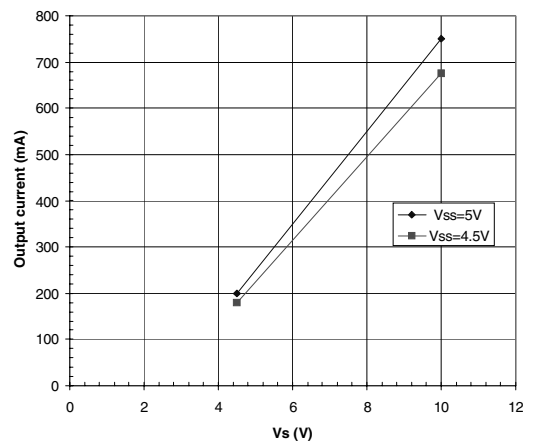
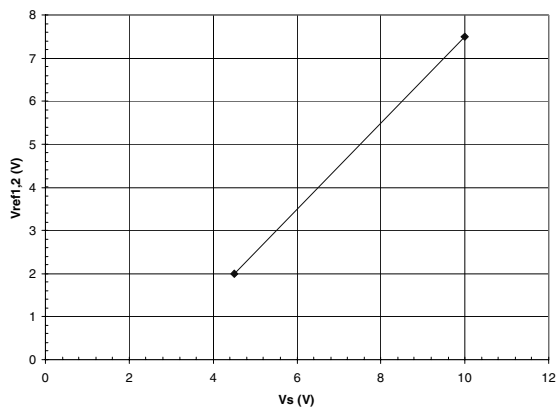


Figure 8. Maximum reference voltages vs. supply voltage



5 Package Information

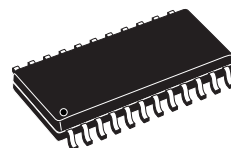
Figure 10. SO24 Mechanical Data & Package

DIM.	mm			inch		
	MIN.	TYP.	MAX.	MIN.	TYP.	MAX.
A	2.35		2.65	0.093		0.104
A1	0.10		0.30	0.004		0.012
B	0.33		0.51	0.013		0.200
C	0.23		0.32	0.009		0.013
D (1)	15.20		15.60	0.598		0.614
E	7.40		7.60	0.291		0.299
e		1.27			0.050	
H	10.0		10.65	0.394		0.419
h	0.25		0.75	0.010		0.030
L	0.40		1.27	0.016		0.050
k	0° (min.), 8° (max.)					
ddd			0.10			0.004

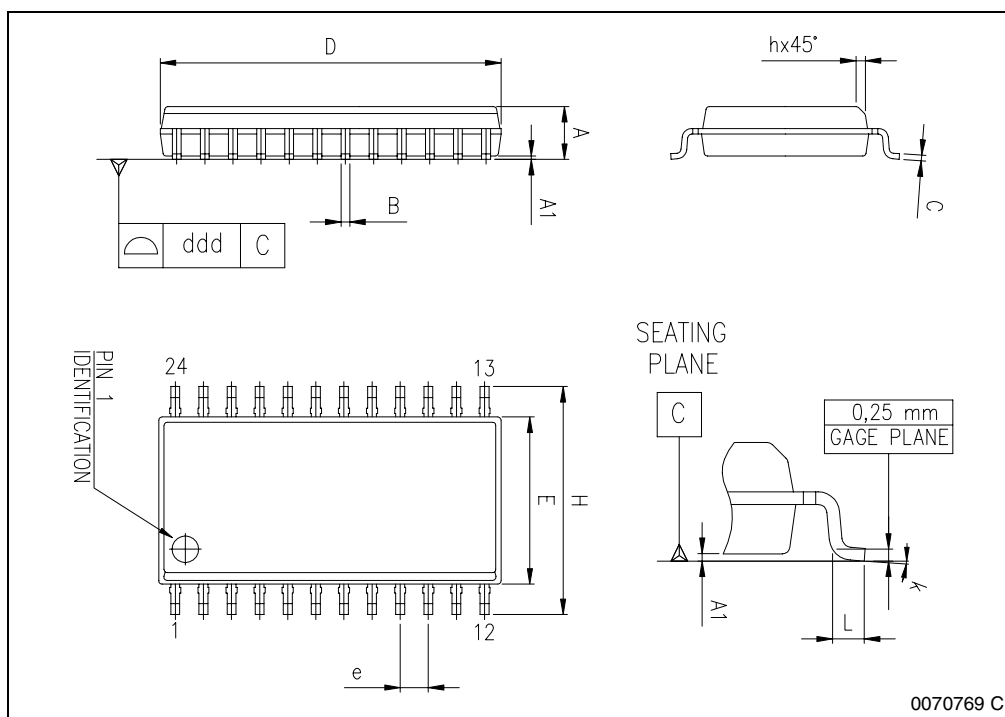
(1) "D" dimension does not include mold flash, protusions or gate burrs. Mold flash, protusions or gate burrs shall not exceed 0.15mm per side.

OUTLINE AND MECHANICAL DATA

Weight: 0.60gr



SO24



6 Revision History

Table 7. Revision History

Date	Revision	Description of Changes
January 2003	1	First Issue
May 2005	2	Modified Table 6 on page 5.

Information furnished is believed to be accurate and reliable. However, STMicroelectronics assumes no responsibility for the consequences of use of such information nor for any infringement of patents or other rights of third parties which may result from its use. No license is granted by implication or otherwise under any patent or patent rights of STMicroelectronics. Specifications mentioned in this publication are subject to change without notice. This publication supersedes and replaces all information previously supplied. STMicroelectronics products are not authorized for use as critical components in life support devices or systems without express written approval of STMicroelectronics.

The ST logo is a registered trademark of STMicroelectronics.
All other names are the property of their respective owners

© 2005 STMicroelectronics - All rights reserved

STMicroelectronics group of companies

Australia - Belgium - Brazil - Canada - China - Czech Republic - Finland - France - Germany - Hong Kong - India - Israel - Italy - Japan -
Malaysia - Malta - Morocco - Singapore - Spain - Sweden - Switzerland - United Kingdom - United States of America

www.st.com